

RQD / HVAC-R EXTERNAL SEALING CONNECTION TOOL

Connection Tool for ISO 7241-1 Series B Quick Disconnect Coupling Plugs
Easily connect to pressurized Hansen, PCU and other Plugs ("Tips")

CONNECTS TO:

Hansen® & PCU® Brand Quick Disconnect Male Plugs/ "Tips"



SPECIFICATIONS

Pressure Rating	Operating Temperatures	Materials of Construction
Vacuum to 750 psi (52 bar)	-40°F to +250°F (-40°C to +121°C)	Black Oxide/Stainless Steel/Brass/Plastic (Black Delrin®)
Termination Port		Seal Material*
1/4 or 3/8 NPT		Neoprene®

* Additional seal material types available, consult factory.

- i** Designed for ISO 7241-1 Series B Coupling Plugs/ "Tips"
- i** RQD can mate with, but not limited to, the following brands: PCU, Hansen, Parker, SABE, AeroQuip®, Faster®, Snap-Tite®, Stucchi®, Perfecting®, Safeway®, Tomco® H, Cejn®, Foste®, and Nitto®. Check with FasTest for proper fitment.

ACTUATION METHOD

Sleeve / Lever Handle: RQD eliminates high force to connect under pressure!

Easy sleeve latch action is ergonomic and eliminates repetitive twisting and turning. Cam over lever handle easily opens valves, even when under pressure.

- 1 - Slide Latch forward to connect to QD Plug
- 2 - Lift handle to open valves
- 3 - Return handle to in-line position to close valves and vent

ICON™ TECHNOLOGY

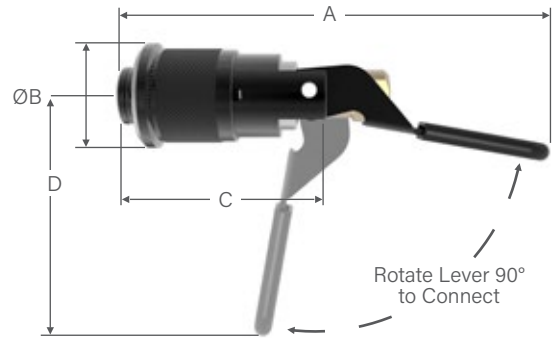
Consult Factory

ACCESSORIES

Visit fastestinc.com

- 1** Sleeve latches RQD to QD Plug before pressure is applied thus eliminating the high force to connect common in conventional Quick Disconnect Couplings
- 2** Safety Latch feature prevents accidental disconnection when under pressure
- 3** All RQD's feature an internal shut-off valve. Lever handle opens/closes valves to charge system. When closing, residual pressure is safely directed away from operator or can be reclaimed via reclaim port
- 4** Ergonomic action eliminates repetitive twisting motion & possible operator injuries
- 5** Minimal maintenance required
- 6** Reclaim Port supports Zero Emission Processing See pg.3 for more information on Zero Emission Processing

RQD / HVAC-R EXTERNAL SEALING CONNECTION TOOL



RQD (vent to atmosphere)

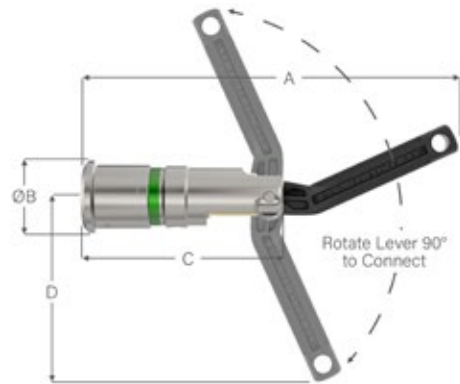
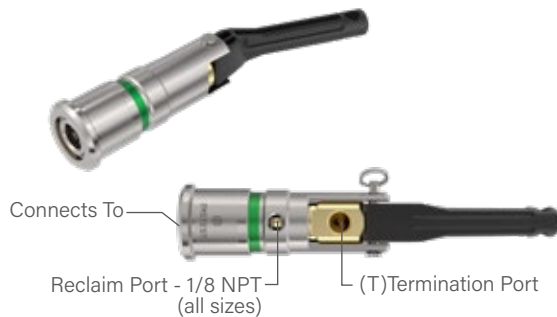
Ordering Information				Dimensions				
Connects To	Part	Replacement	Rebuild	A	B	C	D	T

RQD | Lever Action Style for PCU* Plugs/Tips

1/4 PCU*—Model 64 Tip	KA04PA	KSA04	KR04A	7.00 (177.8)	1.75 (44.5)	3.40 (86.4)	3.30 (83.8)	1/4 NPT
1/4 PCU*—Model 61 Tip	KA04PB	KSM04	KR04		1.95 (49.5)			3/8 NPT
3/8 PCU*—Model 78 Tip	KA06PA	KSM06PB	KR06PA					
3/8 PCU*—Model 66 Tip	KA06PB	KSM06PB	KR06PB					

RQD | Lever Action Style for Hansen* Plugs/Tips

1/4 Hansen* 2K Series Tip	KA04HB	KSM04	KR04	7.00 (177.8)	1.75 (44.5)	1.95 (49.5)	3.30 (83.8)	1/4 NPT
3/8 Hansen* 3K Series Tip	KA06HB	KSM06HB	KR06HB		1.95 (49.5)			3/8 NPT



RQD (with reclaim port) See pg.3 for more information on Zero Emission Processing

Ordering Information				Dimensions				
Connects To	Part Number	Replacement Seals Bulk Pack (5)	Rebuild Kit	A	B	C	D	T

RQD | Lever Action Style for PCU* Plugs/Tips

1/4 PCU*—Model 64 Tip	KA04PAEV	KSA04	KR04AEV	8.70 (221.0)	1.75 (44.5)	4.7 (119.4)	4.2 (106.7)	1/4 NPT
1/4 PCU*—Model 61 Tip	KA04PBEV	KSM04	KR04EV		1.95 (49.5)	4.9 (124.5)		
3/8 PCU*—Model 78 Tip	KA06PAEV	KSM06PB	KR06PAEV		1.75 (44.5)	4.7 (119.4)		
3/8 PCU*—Model 66 Tip	KA06PBEV	KSM06PB	KR06PBEV		1.95 (49.5)	4.9 (124.5)		3/8 NPT

RQD | Lever Action Style for Hansen* Plugs/Tips

1/4 Hansen* 2K Series Tip	KA04HBEV	KSM04EV	KR04EV	8.70 (221.0)	1.75 (44.5)	4.7 (119.4)	4.2 (106.7)	1/4 NPT
3/8 Hansen* 3K Series Tip	KA06HBEV	KSM06HBEV	KR06HBEV		1.95 (49.5)	4.9 (124.5)		3/8 NPT

Dimensions: inch (mm)



DON'T SEE A SOLUTION FOR YOUR APPLICATION? Submit a custom application form and drawing to fastsales@fastestinc.com or to your local distributor.