

JXL / EXTERNAL SEALING CONNECTION TOOL

Manual lever actuated external grip and seal connection tool for straight tube.

CONNECTS TO:

Straight Swaged



SPECIFICATIONS

| Pressure Rating* | Operating Temperatures | Materials of Construction |
|---|--------------------------------|--|
| 10 mtorr (micron) to 1,000 psi (69 bar) | 0°F to +200°F (-17°C to +93°C) | Anodized Aluminum, Stainless Steel, and Acetal (POM) |
| Termination Port | | Seal Material** |
| 1/8 to 1/4 NPT/BSPP (G) | | Neoprene® |

i *Pressure rating based on metal test piece not exceeding 30 Rockwell C hardness. As a general guideline, surface must be 5 micro inches or greater. Surfaces less than 5 micro inches not recommended.

**Additional seal material types available, consult factory.

ACTUATION METHOD

Lever Actuated: Simply flip the ergonomic handle in either direction for ease of use

ICON™ TECHNOLOGY

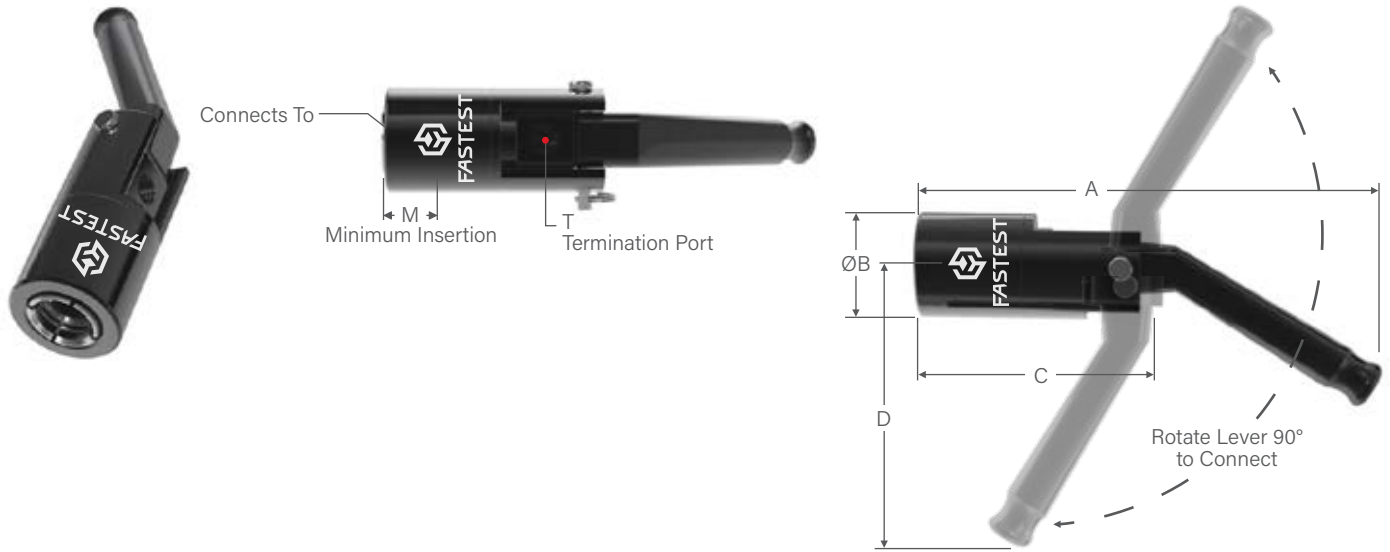
Consult Factory

ACCESSORIES

Visit fastestinc.com

- 1** Pressure assisted sealing and gripping with internal safety lock feature resists accidental disconnection under high pressure if handle is released
- 2** Instant connection for copper, steel, and aluminum tubes commonly used in refrigeration and other industrial applications
- 3** Stainless steel collets provide maximum grip with minimum distortion of the test piece
- 4** Quick and easy seal replacement to minimize down time, maintenance, and tool inventory
- 5** Self aligning connector requires no operator adjustment

JXL / EXTERNAL CONNECTION TOOL / IMPERIAL / METRIC EXTERNAL TUBES



| Ordering Information | | | Dimensions | | | | | | |
|----------------------|-------------|---------------|------------|---|---|---|---|---|---------------|
| Sealing Range | Part Number | Main Seal Set | A | B | C | D | M | T | Flow Diameter |

JXLO and JXL1 | Lever Actuated Connectors for Imperial External Tubes

| | | | | | | | | | |
|--------------|----------|----------|-----------------|----------------|----------------|-----------------|----------------|---------|------------|
| 0.25 ± .010 | JXL00250 | SXL00250 | 7.27 (184.7) | 1.13 (28.8) | 3.65 (92.7) | 4.22 (107.2) | 0.79 (20.1) | 1/8 NPT | 0.24 (6.1) |
| 0.312 ± .010 | JXL00312 | SXL00312 | | | | | | | |
| 0.375 ± .010 | JXL00375 | SXL00375 | | | | | | | |
| 0.500 ± .010 | JXL00500 | SXL00500 | | 1.62 (41.2) | 3.58 (90.9) | | 0.85 (21.6) | 1/4 NPT | |
| 0.625 ± .010 | JXL10625 | SXL10625 | | | | | | | |
| 0.750 ± .010 | JXL10750 | SXL10750 | | | | | | | |
| 0.875 ± .010 | JXL10875 | SXL10875 | | | | | | | |

JXLO and JXL1 | Lever Actuated Connectors for Metric External Tubes

| | | | | | | | | | |
|---------------|---------|----------|-----------------|----------------|----------------|-----------------|----------------|--------------|------------|
| 6mm ± 0.25mm | JXL0M6 | SXL00236 | 7.27 (184.7) | 1.13 (28.8) | 3.65 (92.7) | 4.22 (107.2) | 0.79 (20.1) | 1/8 BSPP (G) | 0.24 (6.1) |
| 8mm ± 0.25mm | JXL0M8 | SXL00312 | | | | | | | |
| 10mm ± 0.25mm | JXL0M10 | SXL00394 | | | | | | | |
| 12mm ± 0.25mm | JXL0M12 | SXL00472 | | 1.62 (41.2) | 3.58 (90.9) | | 0.85 (21.6) | 1/4 BSPP (G) | |
| 16mm ± 0.25mm | JXL1M16 | SXL10630 | | | | | | | |
| 18mm ± 0.25mm | JXL1M18 | SXL10710 | | | | | | | |
| 20mm ± 0.25mm | JXL1M20 | SXL10787 | | | | | | | |
| 22mm ± 0.25mm | JXL1M22 | SXL10865 | | | | | | | |

Dimensions: inch (mm)

NOTE: Table above shows common connections. Additional sizes available for JXL Series connectors. Consult factory or details.



DON'T SEE A SOLUTION FOR YOUR APPLICATION? Submit a custom application form and drawing to fastsales@fastestinc.com or to your local distributor.