

MLL / MEDICAL-LIFE SCIENCES SEALING CONNECTION TOOL

Pneumatic sealing connection tool for external sealing of luers in automated and semi-automated processes.

CONNECTS TO:



- 1** Pilot operated low pressure expanding seal against luer OD's
- 2** Compact design with low particulate generation
- 3** Cleaned and lubricated for oxygen safe environment with FDA approved seals
- 4** Self aligning connector requires no operator adjustment

i All parts are washed in an aqueous solution utilizing ultrasonic agitation at a temperature of 140°F. Components are then rinsed in a cascading rinse tank and dried using 99.999% pure nitrogen and assembled in a 100,000ppm level controlled environment.

Krytox is the standard lubricant.

Optional material is a FDA listed fluorocarbon.

Components are double bagged for shipping integrity.



SPECIFICATIONS

| Pressure Rating | Pilot Pressure | Operating Temperatures** |
|-----------------------------|------------------------------------|--------------------------------|
| Vacuum to 100 psi (6.9 bar) | 60-90 psi (4.1-6.2 bar) | 0°F to +200°F (-17°C to +93°C) |
| Termination Port | Materials of Construction | Seal Material* |
| 1/8 FNPT | Stainless Steel, Anodized Aluminum | Masterflex C-Flex R70 |

ACTUATION METHOD

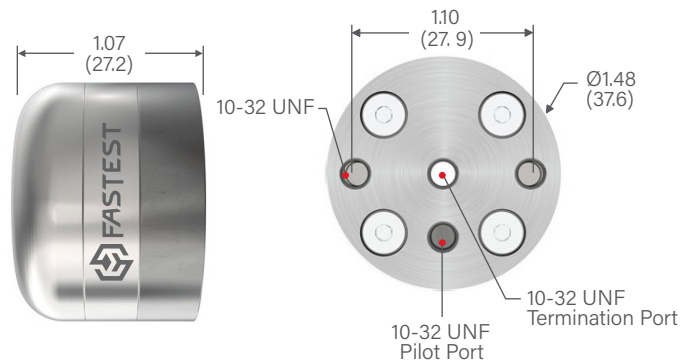
Pneumatic: seals to external surface of luer when pilot pressure is applied

ICON™ TECHNOLOGY

Consult Factory

ACCESSORIES

Visit fastestinc.com



| Ordering Information | |
|----------------------|----------------------------|
| Part Number | Replacement Seals Pack (5) |

MLL | Luers

| | |
|---------|-----------|
| MLL2001 | S6LT18120 |
|---------|-----------|