

# HPG580 / HIGH PURITY CONNECTOR FOR INERT SPECIALTY GASES

High Purity bail handle actuated internal grip and seal connection tool for compressed gas processing applications.

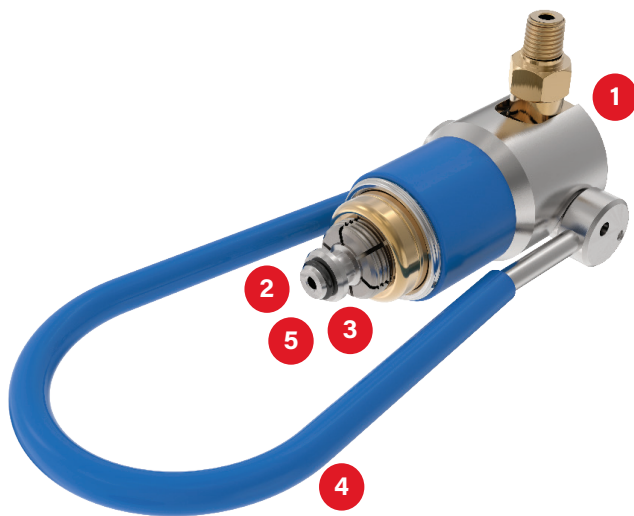
**CONNECTS TO:**

CGA 580 Valves

**GAS TYPE**

High Purity Inert Gases and Mixes

99.9999% Pures and Mixes



**SPECIFICATIONS**

Pressure Rating*	Wetted Materials
Vacuum to 3600 psi (248 bar)	SST, Brass
Operating Temperatures	Seal Materials
0°F to 140°F (-17°C to +60°C)	FDA grade FKM, Teflon
Termination	Other Materials
1/4 Male NPT	See Chart

**NOTE:** BAM Tested. Cleaned for oxygen service  
\*Pressure rating per criteria of ASME B31.3.

**HANDLE OPTIONS**

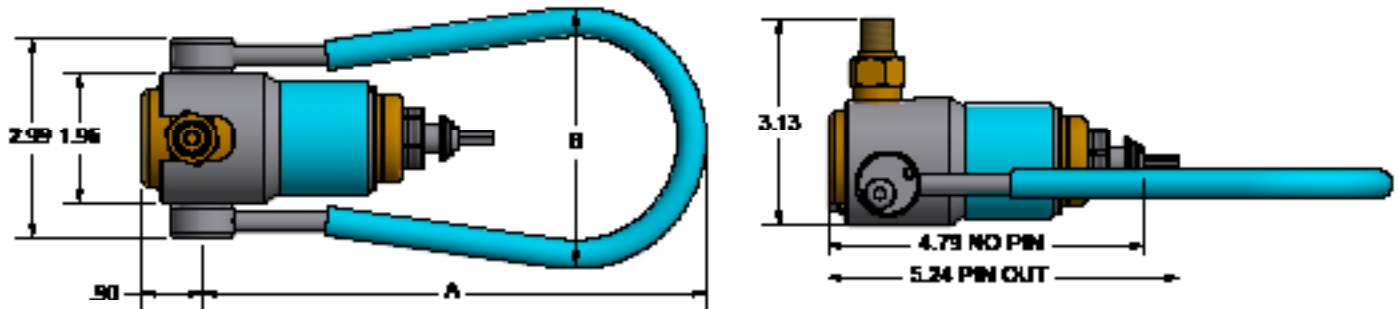
Bail Handle, Cable Handle, Lever Handle

**ACTUATION METHOD**

Bail/Cable/Lever: Rotate handle with roller actuation.

- 1 Positive pressure safety latch to prevent removal under pressure
- 2 Designed specifically for high purity applications with vacuum levels down to 30micron and 1x10<sup>-9</sup> sccm helium leak rate
- 3 Instant connection to external thread with self-aligning internal floating piston for robust sealing
- 4 Ergonomic bail handle surrounds valve for added safety
- 5 Optional retractable RPV pin

## HPG580 / HIGH PURITY CONNECTOR FOR INERT SPECIALTY GASES



Ordering Information							Dimensions	
Connects To	Gas Type	Part Number	Handle Type	RPV Pin (Y/N)	Main Seal Material	Main Seal Packs (QTY)	A	B

**HPG 580** | High Purity G-Series 580

CGA 580	High Purity Inerts and Inert Mixes	HPG5800411BH	1B	N	FKM	SHPG580 (5)	7.41 (188.2)	3.83 (97.3)
		HPG5800411CH	1C	N		SHPG580100 (100)	7.50 (190.5)	3.75 (95.3)
		HPG5800412BH	2B	N		SHPG580250 (250)	7.21 (183.1)	5.23 (132.8)
		HPG5800414CH	4C	N		SHPG580500 (500)	10.75 (273.0)	5.00 (127)
		HPG5800412BRP	2B	Y		SHPG580RPV (5)	7.21 (183.1)	5.23 (132.8)
		HPG5800414CRP	4C	Y		SHPG580RPV100 (100)	7.21 (183.1)	5.23 (132.8)
		HPG5800415BRP	5B	Y		SHPG580RPV250 (250)	7.21 (183.1)	5.23 (132.8)
					SHPG580RPV500 (500)	11.60 (294.6)	7.81 (198.4)	

Dimensions: inch (mm)

