

OPERATING INSTRUCTIONS

Patent Pending

FasTest[®]
Your Productivity Connection

Connector Maintenance:

- User must establish a regular interval for maintenance as determined by the user media and operational environment.
- Inspection should include visual checks of the sealing area, jaw wear, missing or loose components, leak tightness, ease of operation, sufficient lubrication, wear, dirt accumulation and damage.
- Establish a regular interval for lubrication. The media and environment will be determining factors in establishing this interval to prevent dryness and/or corrosion.
- Difficulty of operation after continual use indicates a need for lubrication or other maintenance. **Lubrication to the backside of jaws is recommended!** **Petroleum Lube is optimal.**
- Use only original **FasTest** spare parts that are designed for the application and are subject to strict quality control. See Warranty.

Safety Warnings – Guidelines:

- If instructions are not completely understood by operator or components are missing, contact **FasTest** before attempting use of the connector.
- Application Safety: All **FasTest** products have been designed with safety in mind; however, it is the responsibility of the products users to design each process in such a way to avoid mishaps that can cause physical hazard or property loss. Secondary restraints such as safety chains, shields, cages or fixtures are all good choices depending on the application. **FasTest** can recommend or assist you in clarifying potential hazards of your application.
- **FasTest ZF Connectors are not internally valved, and will not prevent loss of media when disconnected. Do not attempt to disconnect unless safe conditions are met.**
- **FasTest ZF** Connectors must only be used with test pieces of a specific size range as indicated by the part number. Improper use could cause separation of the connector from the test piece resulting in physical harm or damage.

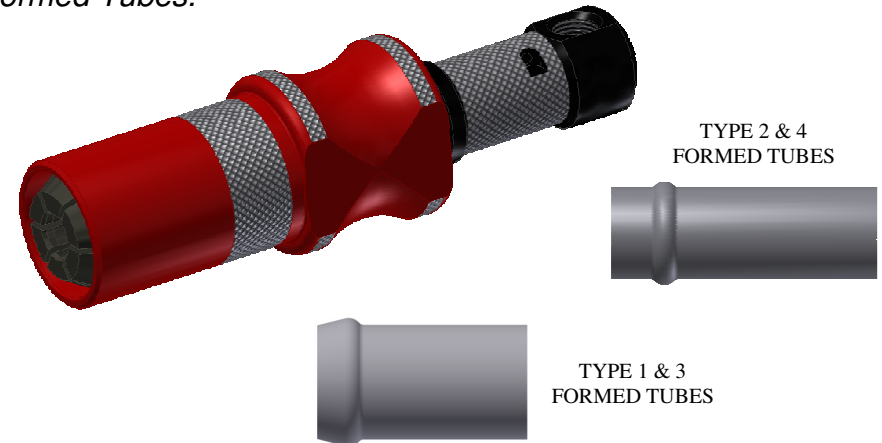
FasTest, Inc. Product Warranty

FasTest, Inc. warrants its products against defects of workmanship and/or material for 1 YEAR from the date of the sale by FasTest, Inc. This warranty is void if the product is misused, tampered with or used in a manner that is not in accordance with FasTest, Inc. recommendations and/or instructions. FasTest, Inc. is not liable for consequential or other damages including, but not limited to, loss, damage, personal injury, or any other expense directly or indirectly arising from the use of or inability to use its products either separately or in combination with other products. ALL OTHER WARRANTIES EXPRESSED OR IMPLIED, WHETHER ORAL OR WRITTEN, INCLUDING BUT NOT LIMITED TO WARRANTIES OR MERCHANTABILITY OR FITNESS FOR A PARTICULAR PURPOSE ARE EXPRESSLY EXCLUDED.

Remedy under this warranty is limited to replacement of the product or an account credit in the amount of the original selling price, at the option of FasTest, Inc. All allegedly defective products must be returned prepaid transportation to FasTest, Inc. along with information describing the products performance, unless disposition in the field is authorized in writing by FasTest, Inc.

ZF Sleeve Activated Connectors

ZF Series Wide Range Connectors Seal on Barbed and Bead Formed Tubes.



ZF Connectors are designed to provide a safe, reliable leak-tight seal and connection when properly maintained and operated on Barbed and Bead Formed Tubes.

Please thoroughly read and understand these operating instructions prior to operating the connector. The use of pressurized media for sealing and testing requires a thorough understanding of the **FasTest ZF** Operating Instructions.

- Installation
- Operation
- Connector Maintenance
- Safety Warnings – Guidelines

FasTest[®]
Your Productivity Connection

Roseville, MN
Ph: 1-800-444-2373
Fax: 651-645-7390
www.fastestinc.com
WP135 Rev C 8/18/2016

OPERATING INSTRUCTIONS

Patent Pending

FastTest[®]
Your Productivity Connection

Product Design and Use:

The ZF Connector is designed to handle a wide tolerance of the Tube diameter and the Bead diameter. Refer to sizing chart for recommended bead and tube sizes for each connector!

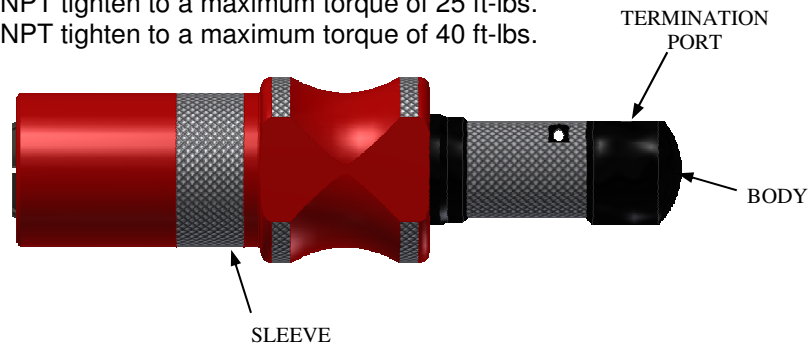
Installation:

Connect hose fitting and or plug securely to the termination port of the connector.

1/8" NPT tighten to a maximum torque of 12 ft-lbs.

1/4" NPT tighten to a maximum torque of 25 ft-lbs.

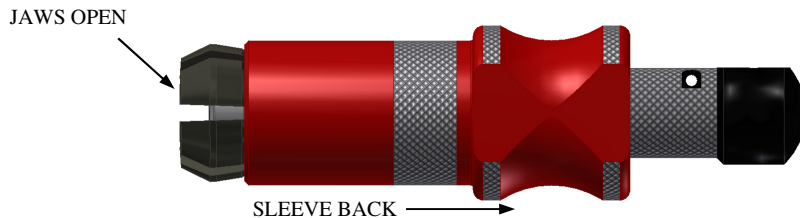
3/8" NPT tighten to a maximum torque of 40 ft-lbs.



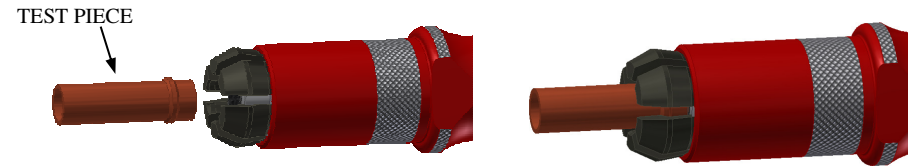
Operation:

Connecting Action:

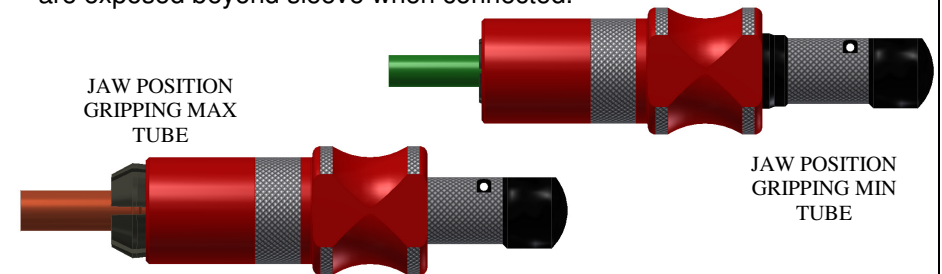
1. To connect to tube, slide and hold the knurled sleeve away from test piece. This will allow the jaws to open.



2. While holding sleeve back push connector onto formed tube compressing piston inside jaws. PISTON MUST BE COMPRESSED SO JAWS AND SLEEVE CAN MOVE TO THE GRIPPING POSITION AROUND THE BEAD OR BARB ON TUBE. Then release sleeve.



3. Spring action forces sleeve forward, collapsing jaws for grip and seal action.
4. Tube diameter will determine how far the jaws collapse from its minimum and maximum range. Tube diameter will also determine how far the jaws are exposed beyond sleeve when connected.



5. Tug on body of connector to assure proper engagement and gripping before introduction of pressurized media. **DO NOT TUG ON SLEEVE TO CHECK FOR PROPER ENGAGEMENT.**
6. Activate test media through connector termination port or through test piece if port is plugged. Pressure will enhance the seal.
7. When test is complete, deactivate test pressure then slide sleeve away from test piece to expand jaws. Remove connector from test piece.

CAUTION NOTES:

- CAUTION: The maximum rated pressure is stamped on the connector sleeve. Before using, verify that this pressure rating is within your working pressures.
- WARNING: Tug on the connector body to assure proper engagement and gripping before introduction of pressurized media.
- DO NOT spin test piece or connector after connection has been made.

FastTest[®]
Your Productivity Connection

Roseville, MN
Ph: 1-800-444-2373
Fax: 651-645-7390
www.fastestinc.com
WP135 Rev C 8/18/2016