

# ZGN / INTERNAL SEALING CONNECTION TOOL

Wide tolerance grip and seal connection tool for multiple sizes / types - fits any internal thread.

## CONNECTS TO:



## SPECIFICATIONS

Pressure Rating	Pilot Pressure	Operating Temperatures
<b>ZGNL:</b> Vacuum to 120 psi (8.3 bar)	N/A	-40°F to +250°F (-40°C to +121°C)
<b>ZGNP:</b> Vacuum to 300 psi (20.7 bar)	60 psi (4.1 bar) minimum	
Termination Port	Materials of Construction	Seal Material*
1/8 NPT, 1/4 NPT	Anodized Aluminum, Stainless Steel, Handles PVC Dipped	Standard: Buna-N

\*Additional seal material types available, consult factory.

- 1 Pressure assisted sealing and gripping of threaded port to safely grip under pressure
- 2 Patented design allows for each tool to connect to multiple thread sizes / styles
- 3 Self aligning sleeve for repeatable / reliable connections, even with miss-alignment
- 4 Compact size fits into tight spaces and tightly spaced bores
- 5 Pneumatic operation can be used for automated testing or end of arm grip and hold - lever operation for manual applications

## ACTUATION METHOD

**ZGNL Lever Handles:** Lever operation for manual applications.

**ZGNP Pneumatic:** Pneumatic operation can be used for automated testing or end of arm grip and hold.

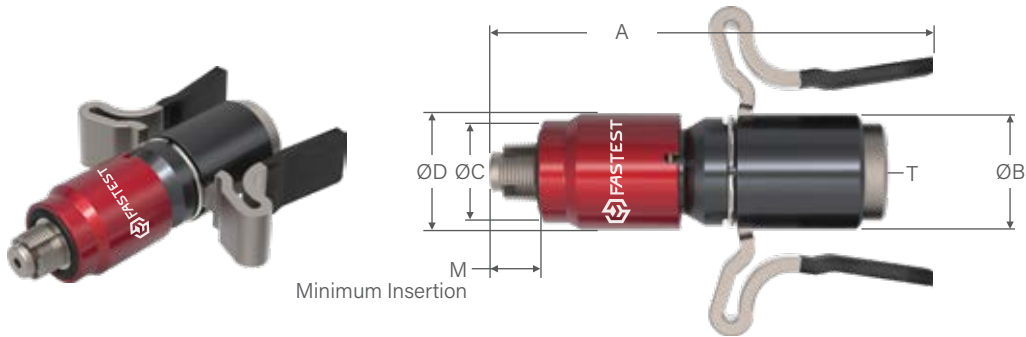
## ICON™ TECHNOLOGY

Consult Factory

## ACCESSORIES

Visit [fastestinc.com](http://fastestinc.com)

# ZGNL / MANUAL INTERNAL SEALING CONNECTION TOOL



Ordering Information				Dimensions						
Connects To	Part Number	Main Seal Set	Rebuild Kit	A	B	C	D	Thread Minor Ø Range	M	T

**ZGNL** | Wide Tolerance Manual Sealing Connection Tool for Internal Threads

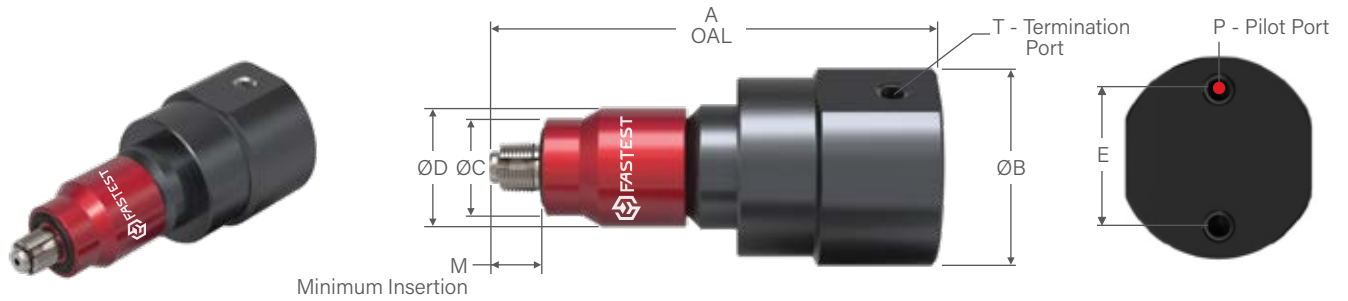
1/8 NPT 3/8-24 SAE 1/8 BSPP (G) 1/8 BSPT M10x1.0 M10x1.25 M10x1.5	ZGNL1	S1110B60	RZGNL1	3.25 (82.6)	0.88 (22.4)	0.64 (16.3)	0.78 (19.8)	0.34 to 0.36 (8.5 to 9.1)	0.32 (8.1)	1/8 NPT
7/16-20 UNF	ZGNL1A	S21030391B70	RZGNL1			0.67 (17.0)		0.38 to 0.40 (9.7 to 10.2)		
1/4 NPT 1/4 BSPP (G) 1/4 BSPT M14x1.5 1/2-20 SAE 9/16-18 SAE	ZGNL2	S1112B60	RZGNL2	3.34 (82.8)	0.87 (22.1)	0.77 (19.6)	0.87 (22.1)	0.45 to 0.50 (11.4 to 12.7)	0.40 (10.2)	1/8 NPT
M12x1.0 M12x1.5	ZGNL2A	S21030456B70	RZGNL2			0.74 (18.8)		0.42 to 0.44 (10.7 to 11.2)		
3/8 NPT 3/8 BSPP (G) 3/8 BSPT	ZGNL3	S1114B60	RZGNL3	3.61 (91.7)	1.12 (22.4)	0.90 (22.9)	0.99 (25.1)	0.59 to 0.61 (15.0 to 15.5)	0.45 (11.4)	1/4 NPT
M16x1.5 5/8-24 SAE	ZGNL3A	S1114B60	RZGNL3			0.56 to .58 (14.2 to 14.7)				
1/2 NPT 1/2 BSPP (G) 1/2 BSPT M20x1.5	ZGNL4	S1116B60	RZGNL4	3.62 (91.9)	1.32 (33.5)	1.06 (26.9)	1.22 (31.0)	0.71 to 0.74 (18.0 to 18.8)	0.50 (12.7)	1/4 NPT
M18x1.5	ZGNL4A	S1115B60	RZGNL4			1.03 (26.2)		0.65 to 0.67 (16.5 to 17.0)		
3/4-16 SAE	ZGNL4B	S1116B60	RZGNL4			1.06 (26.9)		0.68 to 0.71 (17.3 to 18.0)		

Dimensions: inch (mm)



**DON'T SEE A SOLUTION FOR YOUR APPLICATION?** Submit a custom application form and drawing to [fastsales@fastestinc.com](mailto:fastsales@fastestinc.com) or to your local distributor.

# ZGNP / PNEUMATIC INTERNAL SEALING CONNECTION TOOL



Ordering Information				Dimensions								
Connects To	Part Number	Main Seal Set	Rebuild Kit	A	B	C	D	E	Thread Minor Ø Range	M	P	T

**ZGNP** | Wide Tolerance Pneumatic Sealing Connection Tool for Automated Testing of Internal Threads

1/8 NPT 3/8-24 SAE 1/8 BSPP (G) 1/8 BSPT M10x1.0 M10x1.25 M10x1.5	ZGNP1	S1110B60	RZGNP1	2.92 (74.2)	1.30 (33.0)	0.64 (16.3)	0.78 (19.8)	0.88 (22.4)	0.34 to 0.36 (8.5 to 9.1)	0.32 (8.1)	10-32 UNF	1/8 NPT
7/16-20 SAE	ZGNP1A	S21030391B70	RZGNP1			0.67 (17.0)			0.38 to 0.40 (9.7 to 10.2)			
1/4 NPT 1/4 BSPP (G) 1/4 BSPT M14x1.5 1/2-20 SAE 9/16-18 SAE	ZGNP2	S1112B60	RZGNP2	3.08 (78.2)	1.30 (33.0)	0.77 (19.6)	0.87 (22.1)	0.88 (22.4)	0.45 to 0.50 (11.4 to 12.7)	0.40 (10.2)	10-32 UNF	1/8 NPT
M12x1.0 M12x1.5	ZGNP2A	S21030456B70	RZGNP2			0.74 (18.8)			0.42 to 0.44 (10.7 to 11.2)			
3/8 NPT 3/8 BSPP (G) 3/8 BSPT	ZGNP3	S1114B60	RZGNP3	3.52 (89.4)	1.75 (44.5)	0.90 (22.9)	0.99 (25.1)	1.13 (28.7)	0.59 to 0.61 (15.0 to 15.5)	0.45 (11.4)	1/8 NPT	1/4 NPT
M16x1.5 5/8-24 SAE	ZGNP3A	S1114B60	RZGNP3			0.90 (22.9)			0.56 to .58 (14.2 to 14.7)			
1/2 NPT 1/2 BSPP (G) 1/2 BSPT M20x1.5	ZGNP4	S1116B60	RZGNP4	3.60 (91.4)	1.75 (44.5)	1.06 (26.9)	1.22 (31.0)	1.13 (28.7)	0.71 to 0.74 (18.0 to 18.8)	0.50 (12.7)	1/8 NPT	1/4 NPT
M18x1.5	ZGNP4A	S1115B60	RZGNP4			1.03 (26.2)			Contact Factory			
3/4-16 SAE	ZGNP4B	S1116B60	RZGNP4			1.06 (26.9)			Contact Factory			

Dimensions: inch (mm)