

JNL / INTERNAL SEALING CONNECTION TOOL

Manual lever actuated internal grip and seal connection tool for straight tubes / bores.

CONNECTS TO:

Straight



SPECIFICATIONS

Pressure Rating*	Operating Temperatures	Materials of Construction
JNLO / JNL1: 10 mtorr (micron) to 1000 psi (68.9 bar)	-40°F to +250°F (-40°C to +121°C)	Aluminum Stainless Steel Acetal (POM) Urethane Collet Retainer
JNL2: 10 mtorr (micron) to 750 psi (51.7 bar)		
Termination Port		Seal Material**
1/8 NPT		Neoprene®

i * Pressure rating based on the test piece having a surface finish greater than 16 rms and a hardness of no more than 95 Rb to grip and seal at the rated pressure. A surface finish of 8 rms may be acceptable if the test piece has a hardness no greater than 40 Rb.

**Additional seal material types available, consult factory.

ACTUATION METHOD

Lever Actuated: Simply flip the ergonomic handle for ease of use

ICON™ TECHNOLOGY

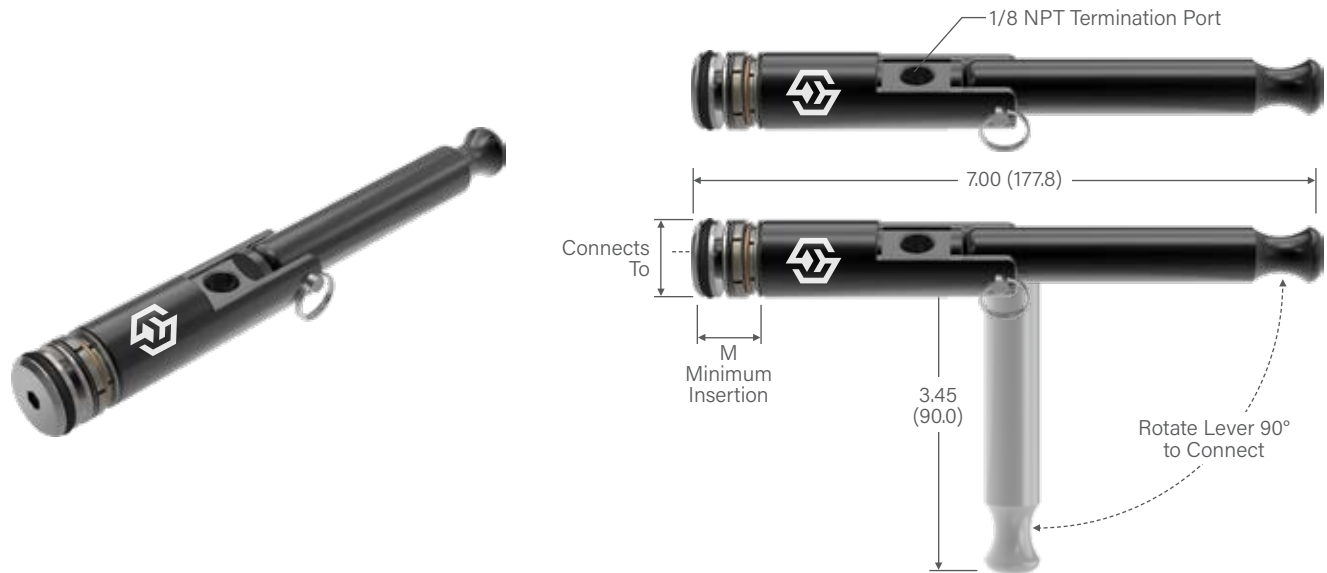
Consult Factory

ACCESSORIES

Visit fastestinc.com

- 1** Pressure assisted sealing and gripping with internal safety lock feature prevents accidental disconnection under pressure if handle is released
- 2** Instant connection for copper, steel, and aluminum tubes commonly used in refrigeration and other industrial applications
- 3** Stainless steel collets provide maximum grip with minimum distortion of the test piece
- 4** Quick and easy seal replacement to minimize down time, maintenance and tool inventory
- 5** Self aligning connector requires no operator adjustment

JNL / INTERNAL SEALING CONNECTION TOOL



Ordering Information			Dimensions
Connects To +0.010/-0.010 (+0.25/-0.25)	Part Number	Replacement Seals Bulk Pack (5)	M

JNL0 and JNL1 | Lever Actuated Connectors for Internal Tubes / Bores

0.375 (9.5)	JNL00375H	SN00375H	0.53 (13.5)
0.500 (12.7)	JNL00500H	SN00500H	
0.590 (15.0)	JNL10590	SN10590	
0.625 (15.9)	JNL10625	SN10625	
0.750 (19.1)	JNL10750	SN10750	
0.785 (19.9)	JNL10785	SN10785	
0.875 (22.2)	JNL10875	SN10875	0.63 (16.0)

JNL0 and JNL1 | Lever Actuated Connectors for Metric Internal Tubes / Bores

10mm ± 0.25mm	JNL0M10H	SN00395H	13.5 (0.53)
11mm ± 0.25mm	JNL0M11H	SN00435H	
12mm ± 0.25mm	JNL0M12H	SN00470	16.0 (0.63)
13mm ± 0.25mm	JNL0M13H	SN00515H	
14mm ± 0.25mm	JNL0M14H	SN00550H	
15mm ± 0.25mm	JNL1M15	SN10590	
16mm ± 0.25mm	JNL1M16	SN10630	
18mm ± 0.25mm	JNL1M18	SN10710	
20mm ± 0.25mm	JNL1M20	SN10785	

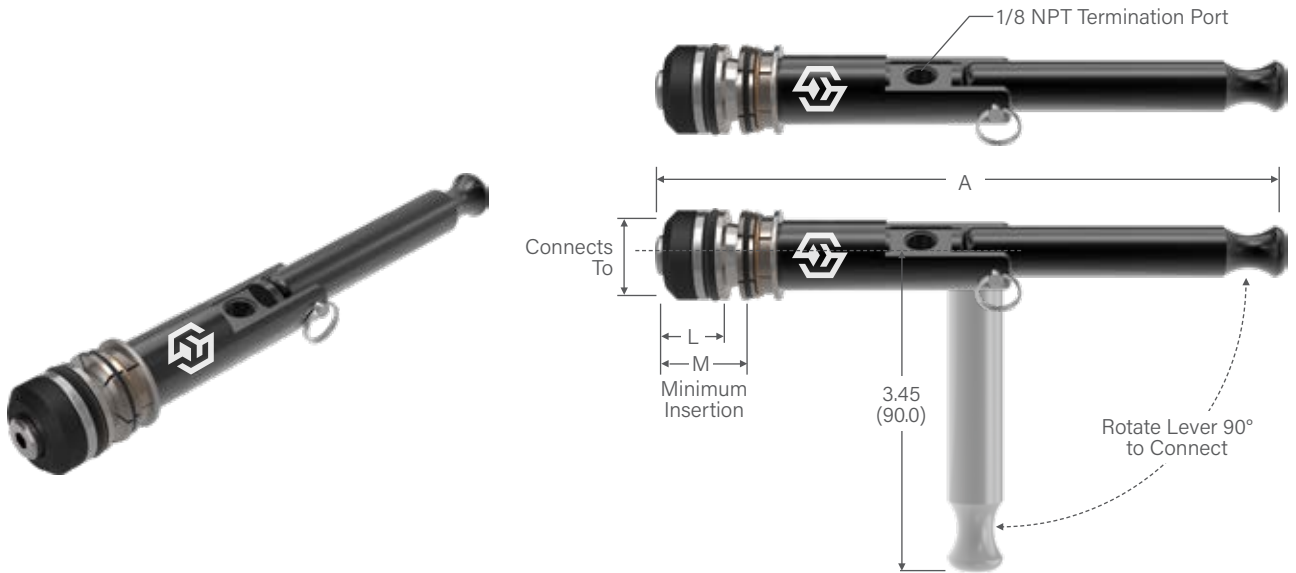
Dimensions: inch (mm)

NOTE: JNL sizes available in .005" (.13 mm) increments per customer request. Consult factory.



DON'T SEE A SOLUTION FOR YOUR APPLICATION? Submit a custom application form and drawing to fastsales@fastestinc.com or to your local distributor.

JNL / INTERNAL SEALING CONNECTION TOOL



Ordering Information			Dimensions		
Connects To +0.030/-0.010 (+0.76/-0.25)	Part Number	Replacement Seals Bulk Pack (5)	A	L	M
JNL2 Lever Actuated Connectors for Internal Tubes / Bores					
1.000 (25.4)	JNL21000	SN21000	7.71 (195.8)	1.31 (33.3)	1.39 (35.4)
1.125 (28.6)	JNL21125	SN21125			
1.250 (31.8)	JNL21250	SN21250	7.71 (195.8)	1.44 (36.6)	1.51 (38.4)
1.375 (34.9)	JNL21375	SN21375	7.84 (199.1)	1.56 (39.7)	2.05 (52.1)
1.500 (38.1)	JNL21500	SN21500	7.96 (202.2)	1.69 (43.0)	2.12 (53.9)
1.625 (41.3)	JNL21625	SN21625	8.09 (205.5)	1.81 (46.0)	2.30 (58.5)

Dimensions: inch (mm)

NOTE: Additional JNL2 sizes available per customer request. Consult factory.