

# XT / HVAC-R EXTERNAL SEALING CONNECTION TOOL

Sleeve actuated ball grip connection tool for expanded refrigeration tubes.

## CONNECTS TO:

Expanded



- 1 Sleeve locks under pressure to prevent accidental disconnection
- 2 Instant connection for copper and aluminum flared tubes commonly used in refrigeration
- 3 Connects to a broad range of flared ends including rough cut ends
- 4 Deep vacuum capabilities down to 10 millitorr (micron)
- 5 Quick and easy seal replacement to minimize down time, maintenance, and tool inventory



Base connector now made of stainless steel

## SPECIFICATIONS

Pressure Rating	Operating Temperatures	Connection Profile
10 mtorr (micron) to 750 psi (51.7 bar)	-40°F to +250°F (-40°C to +121°C)	Expanded Tubes
Housing Material		
Connector - Stainless Steel SurConnect™ - Aluminum		
Termination Profile		Seal Material*
1/4 NPT		Neoprene®

\* More seal material types available, consult factory.

## ACTUATION METHOD

**Manual Sleeve:** Easy, ergonomic sleeve action eliminates repetitive twisting and turning - push to connect, pull to release

## ICON™ TECHNOLOGY

Consult Factory

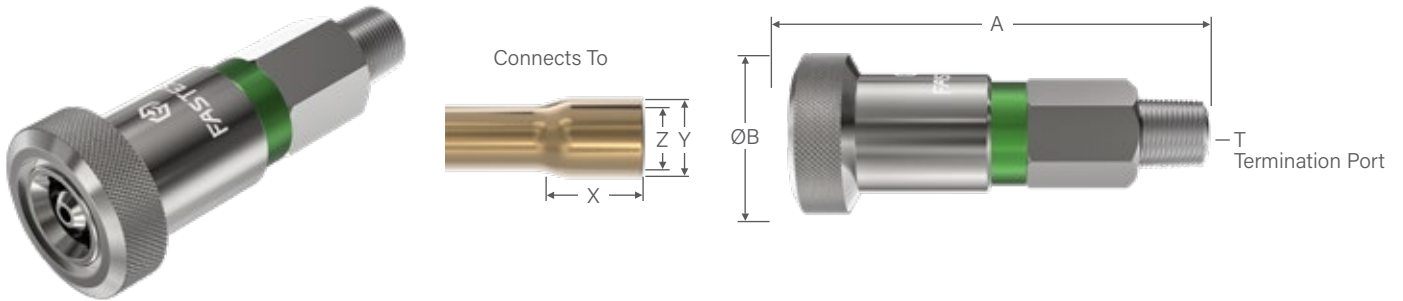
## ACCESSORIES



## The SurConnect™ Advantage

- Green ring indicates a secure connection, improving safety by preventing accidental disconnects.
- Easily installed on existing XT Connectors or available fully assembled.
- Aluminum light weight.
- Color coded by size for easy recognition.

# XT / HVAC-R EXTERNAL SEALING CONNECTION TOOL



Ordering Information							Dimensions			
Connects To				Part Number	Replacement Seals Bulk Pack (5)	Rebuild Kit	A	B	T	Flow Ø
Tube Size	Flare Length (Dim X)	Flare OD (Dim Y)	Flare ID (Dim Z)							

**XT** | Sleeve Actuated Connectors for Expanded Tubes

5/16	0.30 to 1.00 (7.6 to 25.4)	0.44 (11.2)	0.31 (7.9)	XT05042	XTB05	XTR05	3.23 (82.0)	1.19 (30.2)	1/4 NPT	.062 (1.6)	
3/8		0.50 (12.7)	0.37 (9.4)	XT06042	XTB06	XTR06		3.31 (84.1)		1.25 (31.8)	0.12 (3.1)
1/2		0.63 (15.9)	0.49 (12.4)	XT08042	XTB08	XTR08				1.37 (34.8)	0.22 (5.6)
5/8		0.73 (18.5)	0.62 (15.7)	XT10042	XTB10	XTR10		1.50 (38.1)		0.25 (6.4)	
3/4	0.37 to 1.00 (9.4 to 25.4)	0.86 (21.8)	0.74 (18.8)	XT12042	XTB12	XTR12	3.33 (84.6)	1.62 (41.2)		0.27 (6.9)	
7/8		0.99 (25.1)	0.87 (22.1)	XT14042	XTB14	XTR14		1.72 (43.7)		0.28 (7.1)	

Dimensions: inch (mm)

**(i) NOTE:** Not recommended for water dunk applications.

Ordering Information				
Connects To	SurConnect™ Kit Part Number	XT with SurConnect™	XT with SurConnect™ & Process Tip	Tip

**XT WITH SURCONNECT™** | Sleeve Actuated Connectors for Expanded Tubes with Additional Safety Feature

3/8	XT06SHR3	XT06042SHR3	XT06042SHR3H4	1/4 Hansen®
			XT06042SHR3P4	1/4 PCU*
			XT06042SHR3H6	3/8 Hansen*
			XT06042SHR3P6	3/8 PCU*
3/4	XT12SHR2	XT12042SHR2	XT12042SHR2H4	1/4 Hansen®
			XT12042SHR2P4	1/4 PCU*
			XT12042SHR2H6	3/8 Hansen*
			XT12042SHR2P6	3/8 PCU*
7/8	XT14SHR1	XT14042SHR1	XT14042SHR1H4	1/4 Hansen®
			XT14042SHR1P4	1/4 PCU*
			XT14042SHR1H6	3/8 Hansen*
			XT14042SHR1P6	3/8 PCU*

**(i) NOTE:** Not recommended for water dunk applications.



**DON'T SEE A SOLUTION FOR YOUR APPLICATION?** Submit a custom application form and drawing to [fastsales@fastestinc.com](mailto:fastsales@fastestinc.com) or to your local distributor.