

Re-Build Instructions



Connector Maintenance:

- Establish a regular interval for maintenance as determined by user media and operational environment.
- Inspection should include visual checks of the sealing area, sleeve or body wear, missing or loose components, leak tightness, ease of operation, sufficient lubrication, wear, dirt accumulation and damage.
- Establish a regular interval for lubrication. The media and environment will be determining factors in establishing this interval to prevent dryness and/or corrosion.
- Difficulty of operation after continual use indicates a need for lubrication or other maintenance.
- Use only original **FasTest** spare parts that are designed for the application and are subject to strict quality control. See warranty.

Safety Warnings – Guidelines:

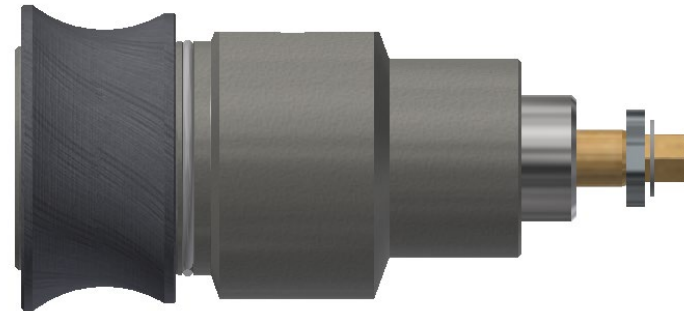
- If instructions are not completely understood by operator or components are missing, contact **FasTest** before attempting use of the connector.
- Application Safety: All **FasTest** products have been designed with safety in mind; however, it is the responsibility of the user to design each process in such a way to avoid mishaps that can cause physical hazard or property loss. Secondary restraints such as safety chains, shields, cages or fixtures are all good choices depending on the application. **FasTest** can recommend or assist you in clarifying potential hazards of your application.

FasTest, Inc. Product Warranty

FasTest, Inc. warrants its products against defects of workmanship and/or material for 12 months from the date of the sale by FasTest, Inc. This warranty is void if the product is misused, tampered with or used in a manner that is not in accordance with FasTest, Inc. recommendations and/or instructions. FasTest, Inc. is not liable for consequential or other damages including, but not limited to, loss, damage, personal injury, or any other expense directly or indirectly arising from the use of or inability to use its products either separately or in combination with other products. ALL OTHER WARRANTIES EXPRESSED OR IMPLIED, WHETHER ORAL OR WRITTEN, INCLUDING BUT NOT LIMITED TO WARRANTIES OR MERCHANTABILITY OR FITNESS FOR A PARTICULAR PURPOSE ARE EXPRESSLY EXCLUDED.

Remedy under this warranty is limited to replacement of the product or an account credit in the amount of the original selling price, at the option on FasTest, Inc. All allegedly defective products must be returned prepaid transportation to FasTest, Inc. along with information describing the products performance, unless disposition in the field is authorized in writing by FasTest, Inc.

Evac Tool Repair Kit CMFTR70 Re-Build and Main Seal Instructions



Roseville MN
Ph: 1-800-444-2373
Fax: 651-645-7390
www.fastestinc.com
WP192 Rev A 7/28/22

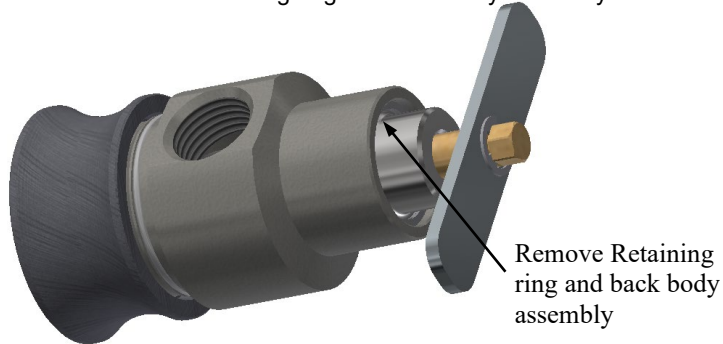
Re-Build Instructions



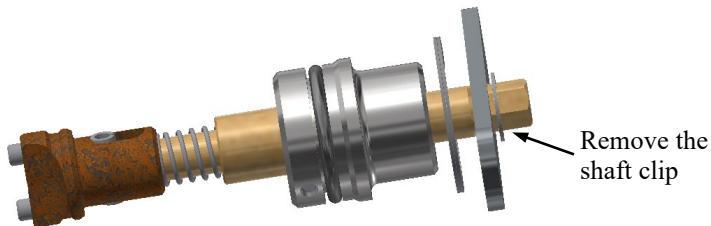
Repair Kit / Re-Build Instructions:

Dis-assembly

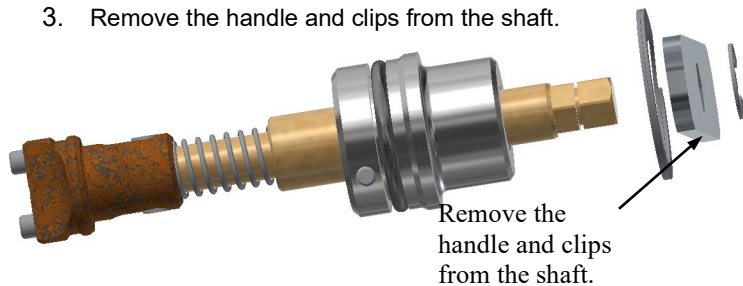
1. Remove the retaining ring and back body assembly.



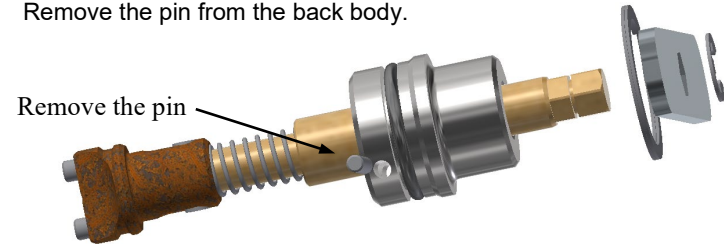
2. Remove the shaft clip. Then remove the shaft from the back body.



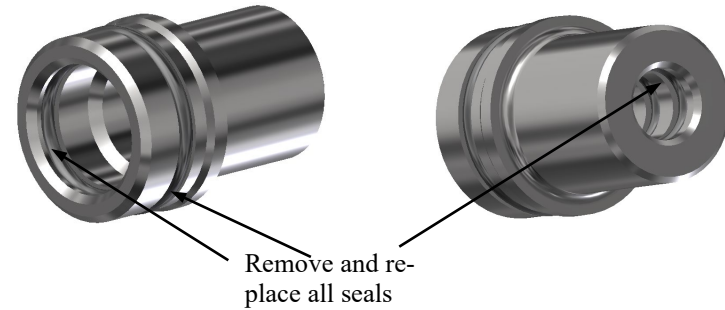
3. Remove the handle and clips from the shaft.



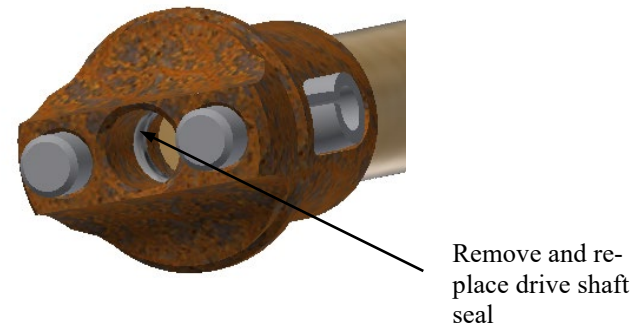
4. Remove the pin from the back body.



5. Remove and replace the seals from inside and out of the back body using a small screwdriver or pick. The seals are to be lubricated with refrigerant oil.



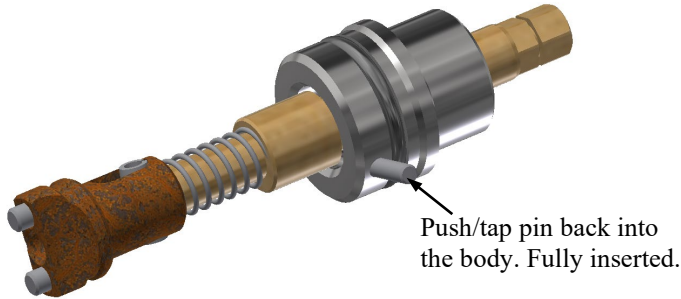
1. Remove and replace the small o-ring inside of the core driver head. Use a small screwdriver or pick. The seals are to be lubricated with refrigerant oil.



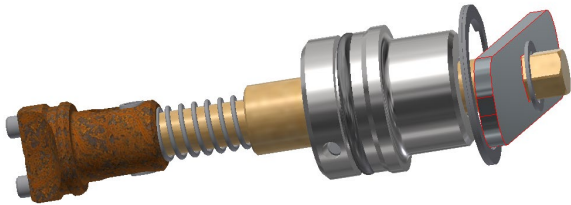
Repair Kit / Re-Build Instructions

Re-assembly

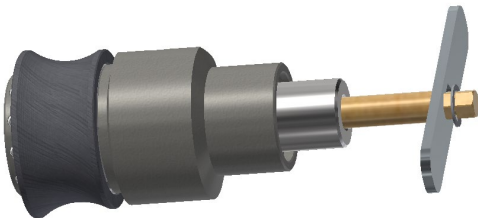
1. Slide the back body and the round snap ring over the shaft. Replace the dowel pin thru the back body.



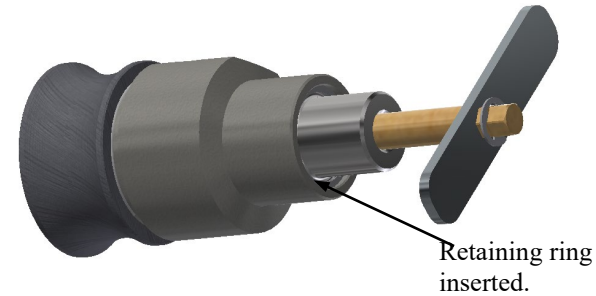
2. Place the handle onto the shaft. Place the "e" clip in the groove behind the handle.



3. Insert the shaft assembly into the body of the connector.



4. Insert the round retaining ring into the groove inside the body, behind the back body,



Main Seal Replacement Instructions:

1. Remove and replace the main seal with a pick or small screw driver.

Remove and re-
place Main seal

