

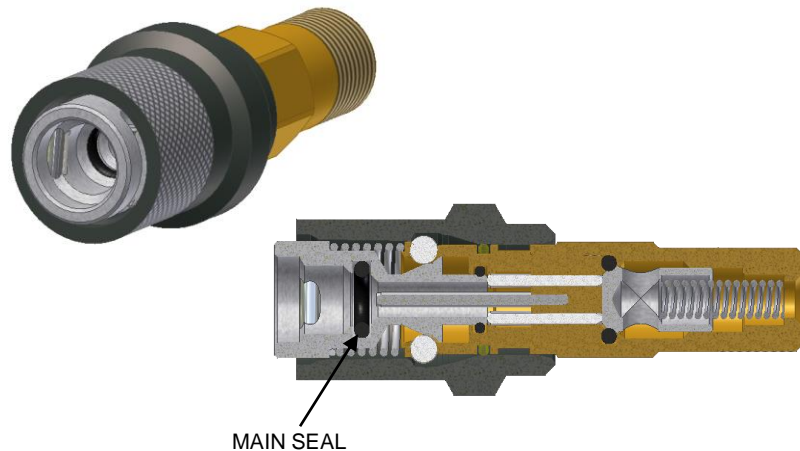
# REPLACEMENT INSTRUCTIONS



## SCPB10 Main Seal Replacement *SnapMate*® Valved In-Line

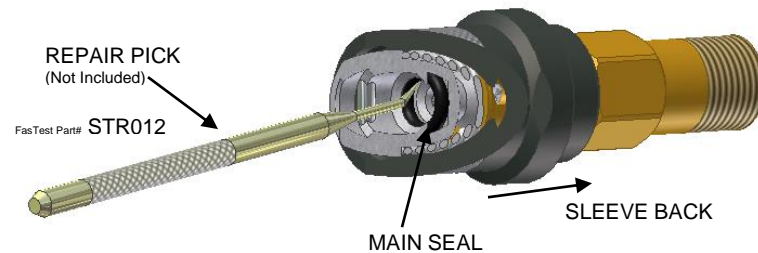
### DESCRIPTION:

Main Seal Replacement for internally valved,  
in-line *SnapMate*® with pin grip.



### REPLACEMENT:

- 1) Have connector in its relaxed position. Piston should be forward, protruding out of the sleeve. Sleeve should be back against hex.
- 2) Using a repair pick, or similar tool, remove the main seal as shown in the diagram. Exercise caution so as not to scratch or deform the seal groove. This could cause a potential leak path.
- 3) Using the same tool, work the replacement seal into the seal groove. Exercise caution so as not to puncture or tear the seal during replacement. This could cause a potential leak path.
- 4) Lubricate lightly with an oil compatible with your system / process.



### ***FasTest, Inc. Product Warranty***

FasTest, Inc. warrants its products against defects of workmanship and/or material for 12 months from the date of the sale by FasTest, Inc. This warranty is void if the product is misused, tampered with or used in a manner that is not in accordance with FasTest, Inc. recommendations and/or instructions. FasTest, Inc. is not liable for consequential or other damages including, but not limited to, loss, damage, personal injury, or any other expense directly or indirectly arising from the use of or inability to use its products either separately or in combination with other products. ALL OTHER WARRANTIES EXPRESSED OR IMPLIED, WHETHER ORAL OR WRITTEN, INCLUDING BUT NOT LIMITED TO WARRANTIES OR MERCHANTABILITY OR FITNESS FOR A PARTICULAR PURPOSE ARE EXPRESSLY EXCLUDED.

Remedy under this warranty is limited to replacement of the product or an account credit in the amount of the original selling price, at the option on FasTest, Inc. All allegedly defective products must be returned prepaid transportation to FasTest, Inc. along with information describing the products performance, unless disposition in the field is authorized in writing by FasTest, Inc.

Please thoroughly read the instructions to properly replace the seal. The *SnapMate* is designed to provide a safe, reliable leak-tight seal and connection when properly maintained and operated.

- The main seal is specifically designed for the application. DO NOT use any substitute seal.
- Follow the replacement instructions carefully.
- DO NOT use excessive force to replace seal as this may damage the seal or connector.
- Use caution when disassembling the connector.

***SnapMate***®  
PAT# 6,039,303

**www.fastestinc.com**  
Roseville, MN  
Ph: 1-800-444-2373  
Fax: 651-645-7390  
WP041 Rev D 10/6/2010