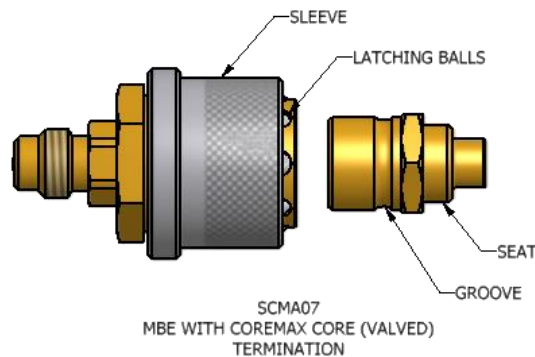
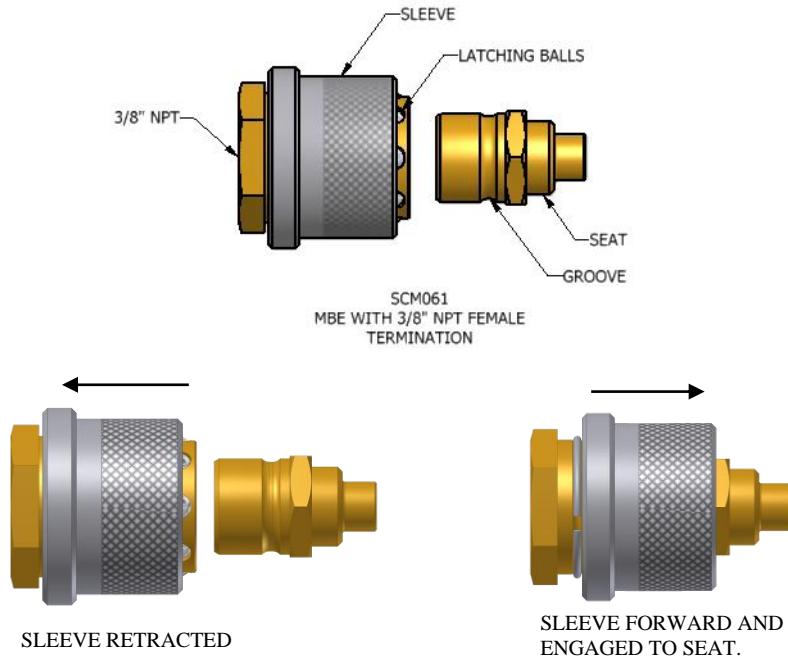


OPERATING INSTRUCTIONS



Operating Instructions for MBE Connectors SCM061 / SCMA07



OPERATION TO CONNECT TO COREMAX SEAT: Pull the sleeve backwards to disengage the connector and insert onto the **CoreMax** seat without the **CoreMax** core. The sleeve is spring actuated, so it will move completely forward when the connector is properly engaged. Slightly pull back on the connector to insure engagement before testing. Do not pull the sleeve back after engagement.

CAUTION: The maximum rated pressure is 625 psi. Before using, verify that this pressure rating is within your working pressures.

WARNING: These connectors will have proper engagement when the sleeve is completely forward over the connector's body. Improper engagement can result in loss of media and/or injury.

NOTE: These connectors are designed for temporary in-process connections and must be fully mated to seal. Inadvertent loosening and loss of media can result when used as permanent connections.

TO DISCONNECT FROM SEAT: Deactivate the test pressure. Move connector's sleeve backwards to disengage. Remove connector from test piece.

CAUTION: These connectors are not internally valved. Disconnect while pressurized can cause rapid separation and high velocity loss media.

MAINTENANCE:

- Periodically inspect connector and seal for proper operation. Replace or repair parts as required to assure positive sealing and performance.
- Establish a regular interval of lubrication. The media and environment will be determining factors in establishing this interval to prevent dryness and/or corrosion.
- NOTE: Difficulty of operation after continual use indicates need for lubrication or other maintenance. Repair parts, instructions and tools are available. Please contact your FasTest Distributor or the Factory for assistance.

FasTest, Inc. Product Warranty

FasTest, Inc. warrants its products against defects of workmanship and/or material for 12 months from the date of the sale by FasTest, Inc. This warranty is void if the product is misused, tampered with or used in a manner that is not in accordance with FasTest, Inc. recommendations and/or instructions. FasTest, Inc. is not liable for consequential or other damages including, but not limited to, loss, damage, personal injury, or any other expense directly or indirectly arising from the use of or inability to use its products either separately or in combination with other products. ALL OTHER WARRANTIES EXPRESSED OR IMPLIED, WHETHER ORAL OR WRITTEN, INCLUDING BUT NOT LIMITED TO WARRANTIES OR MERCHANTABILITY OR FITNESS FOR A PARTICULAR PURPOSE ARE EXPRESSLY EXCLUDED.

Remedy under this warranty is limited to replacement of the product or an account credit in the amount of the original selling price, at the option of FasTest, Inc. All allegedly defective products must be returned prepaid transportation to FasTest, Inc. along with information describing the products performance, unless disposition in the field is authorized in writing by FasTest, Inc.

COREMAX®

Roseville, MN
Phone: 1-800-444-2373
Fax: 651-645-7390
www.fastestinc.com
WP003 Rev B 10/6/2010