



**COMPLETE BATTERY PACKAGE
AND EV TESTING SOLUTIONS**



FASTEST[®]

GLOBAL PARTNER FOR LEAK TEST CONNECTION TOOLS

» Proven Track Record

FasTest has an outstanding track record for providing connection tools unique to their battery headers, coolant lines, De-gas vent valves, drive units & more.

» Supplying Success

FasTest partners with industry leading EV manufacturers to drive consistent battery and vehicle testing practices globally.

» Collaborative Development

Designed by FasTest in collaboration with engineers, ensuring seamless integration & incorporating valuable performance feedback throughout the development process.

» Comprehensive Applications

Detailed applications include electrical header battery connections, coolant line connections, front and rear drive unit connections, motor connections, front and rear drive connections, gearbox connections, inverter connections & more.

» Boost Efficiency & Quality

Automated or manual test cell -- FasTest's connection tools significantly enhance rig & de-rig time, ultimately improving 1st pass yield.

» Global Support

FasTest has a state of art factory in Shenzhen China with team members in throughout China fully equipped to support operations at our Shanghai factory location and cater to the broader Asian market.



general motors



HONDA



LUCID



RIVIAN

STELLANTIS



TESLA

GLOBAL CONNECTION TOOL PARTNER

» Seamless Global Support

Leveraging our extensive global reach and close coordination with trusted partners, we provide exceptional onsite support and maintain a well-stocked supply of seals and aftermarket support.

» Continuous Innovation

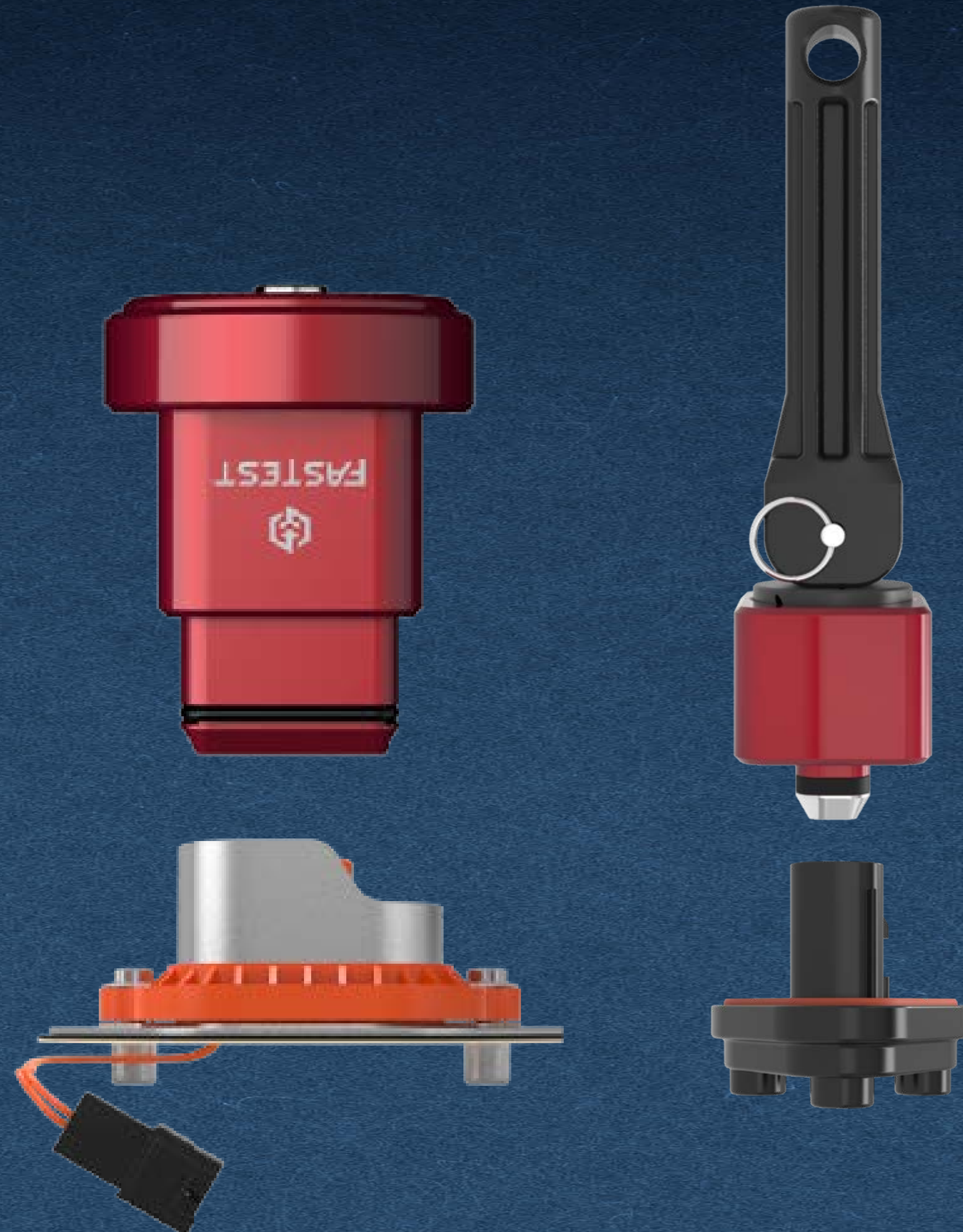
Our commitment to continuous innovation allows us to cater to new connection profiles, offering cutting-edge solutions. FasTest serves as a trusted advisor for best testing practices for design and manufacturing engineers.

» Partnering for Growth

We are dedicated to fostering a long-term partnerships regardless of the project's scale. Our goal is to continue evolving and innovating together, ensuring mutual success on a global scale.

» Agile Product Development

As customers continue to launch new vehicles and improve existing models; FasTest can modify and create new connection tools to meet needs at an individual plant level or global scale.





FASTEST ENGINEERED EV SOLUTIONS

» Complete Package Solutions

FasTest offers a complete range of battery and drive unit test connection tools, catering to both new and existing designs. We are your one-stop shop for all your testing needs.

» In Development with EV Industry Leaders

FasTest is in the process of developing a full package of automated and manual electrical test connectors that will be durable solution for functional and high potential electrical battery tests.

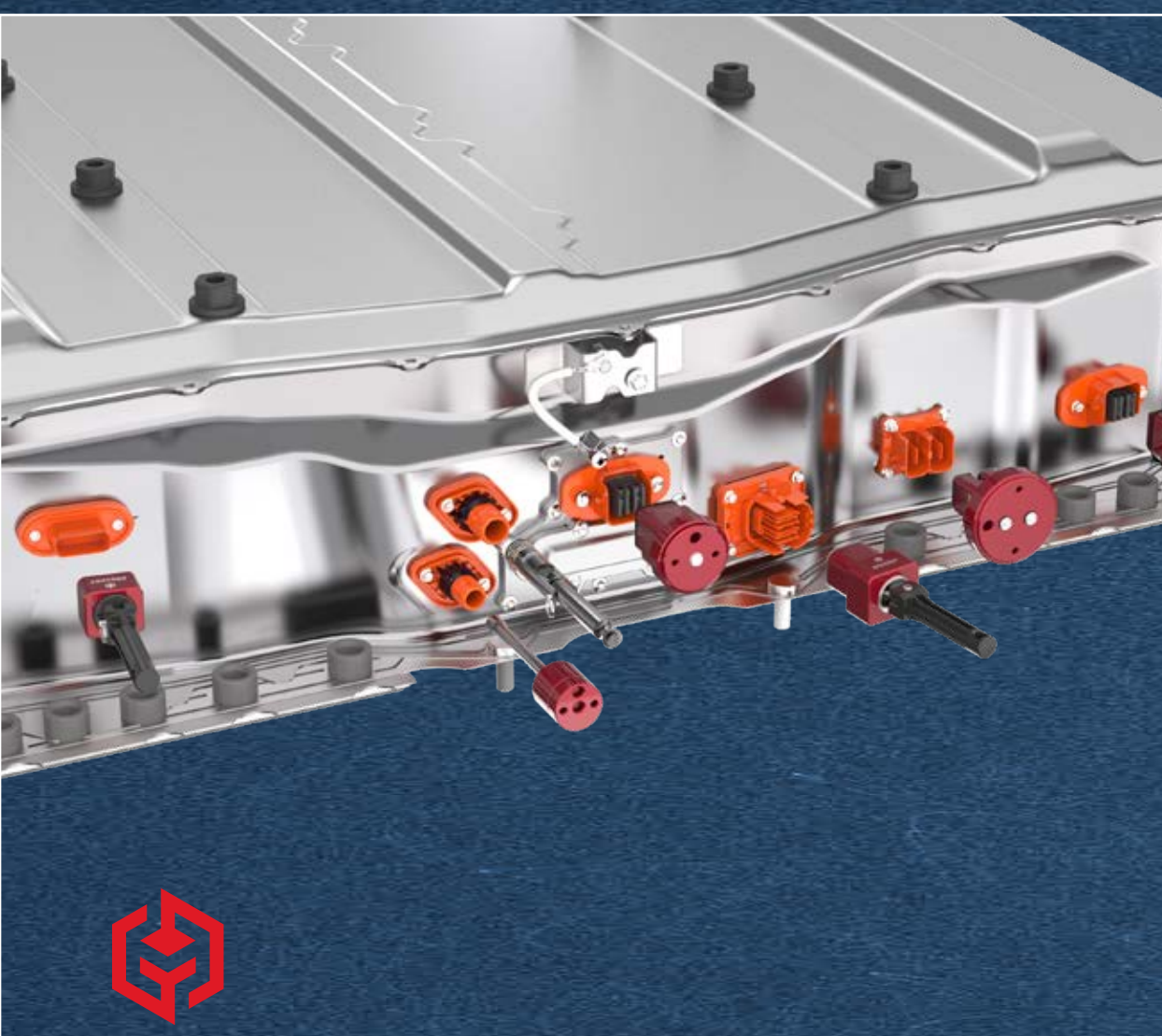
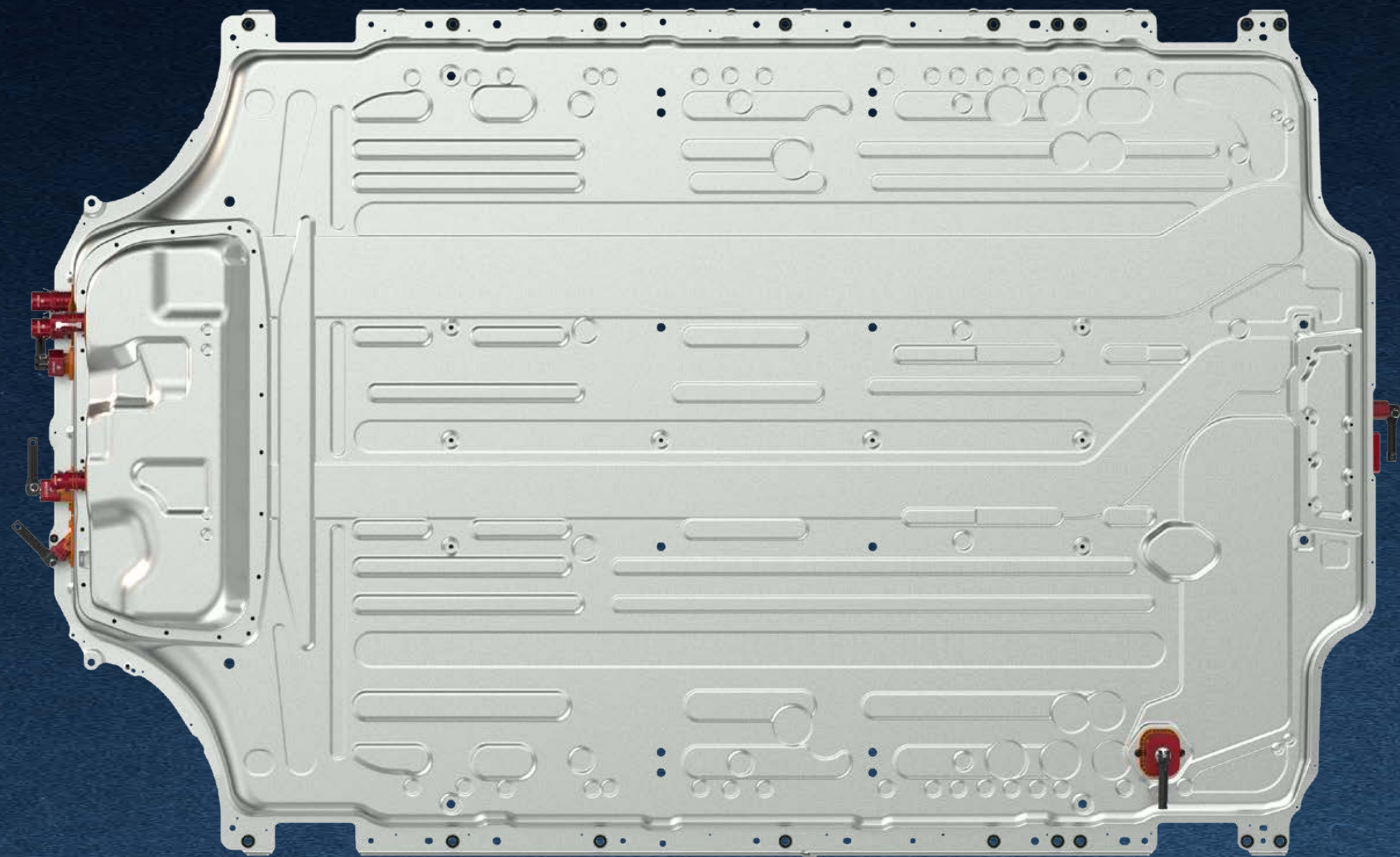
» Expert Custom Engineering

Our skilled and adaptable team of engineers in the customs department is fully prepared to design innovative products specifically tailored for new vehicles, ensuring seamless integration and optimal performance.

» Decades of Expertise

With an impressive 38-year track record, FasTest has honed its expertise in connection tools for the automotive industry. Trust us to handle the engineering aspect, allowing you to focus on your core objectives.





FULL PACKAGE SOLUTIONS FOR BATTERY ELECTRICAL HEADER CONNECTIONS

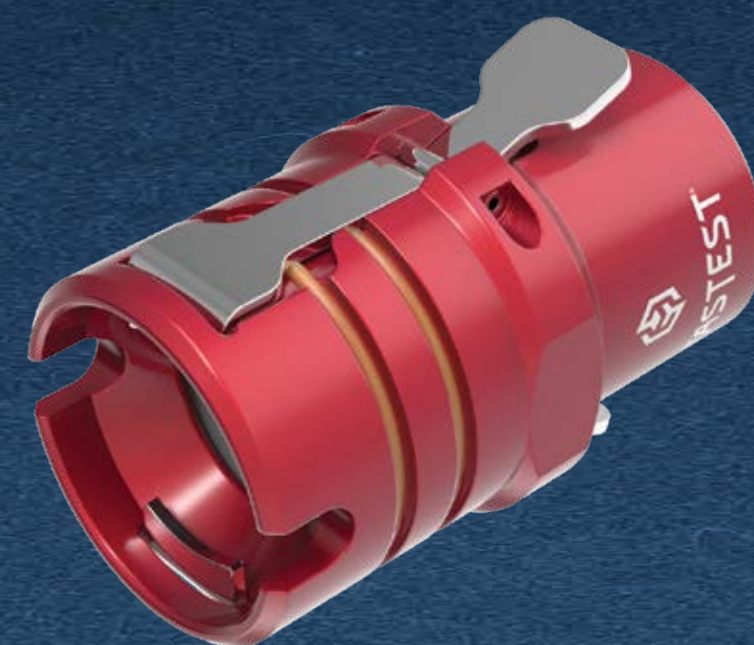


BEV

Manual & Automated Connections to
BEV Electrical Header Ports

FasTest can provide unique designs to any electrical battery header geometry. Many existing designs have already been engineered.

FULL PACKAGED SOLUTIONS FOR COOLANT TESTING



VDA

Manual & Automated Connections to
VDA Standard Ports

FasTest can offer a range of solutions for Coolant line connections and thermal dynamic loops found on batteries, inverters, front and rear drive units and motors.

COMPLETE SOLUTIONS FOR DE-GAS BATTERY VENT VALVES



DE-GAS

Manual & Automated Connections to
De-Gas Valve Ports

FasTest can provide pneumatic (P) and manual lever (L) solutions for testing battery vent valves.

ADDITIONAL APPLICATION SOLUTIONS

- » Electric Drive Units
- » Inverters
- » Gear Boxes
- » Coolant Heaters
- » Transmission Filling
- » HVAC Systems



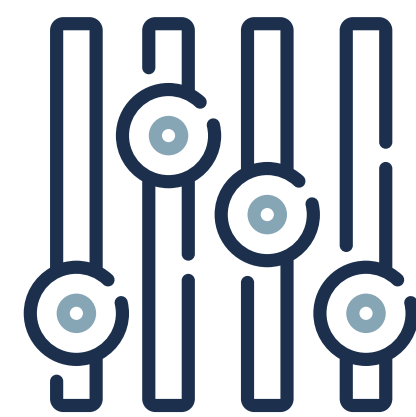
TERAN GROSZ

United States & Europe

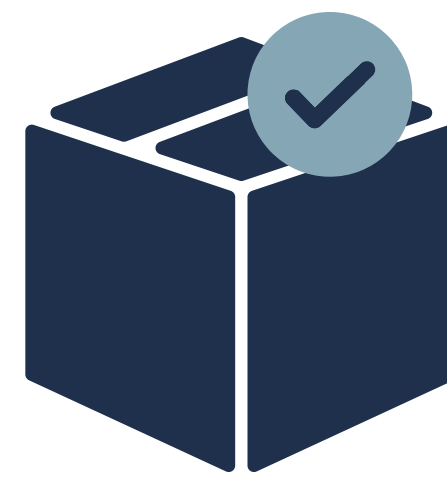
Director of Global Sales
teran.grosz@fastestinc.com
612-616-0231



Drive quality and consistency across plants globally



Customizable full package connector sets for any battery pack



Full package connector sets



Global coverage, local support



Industry proven experienced engineers